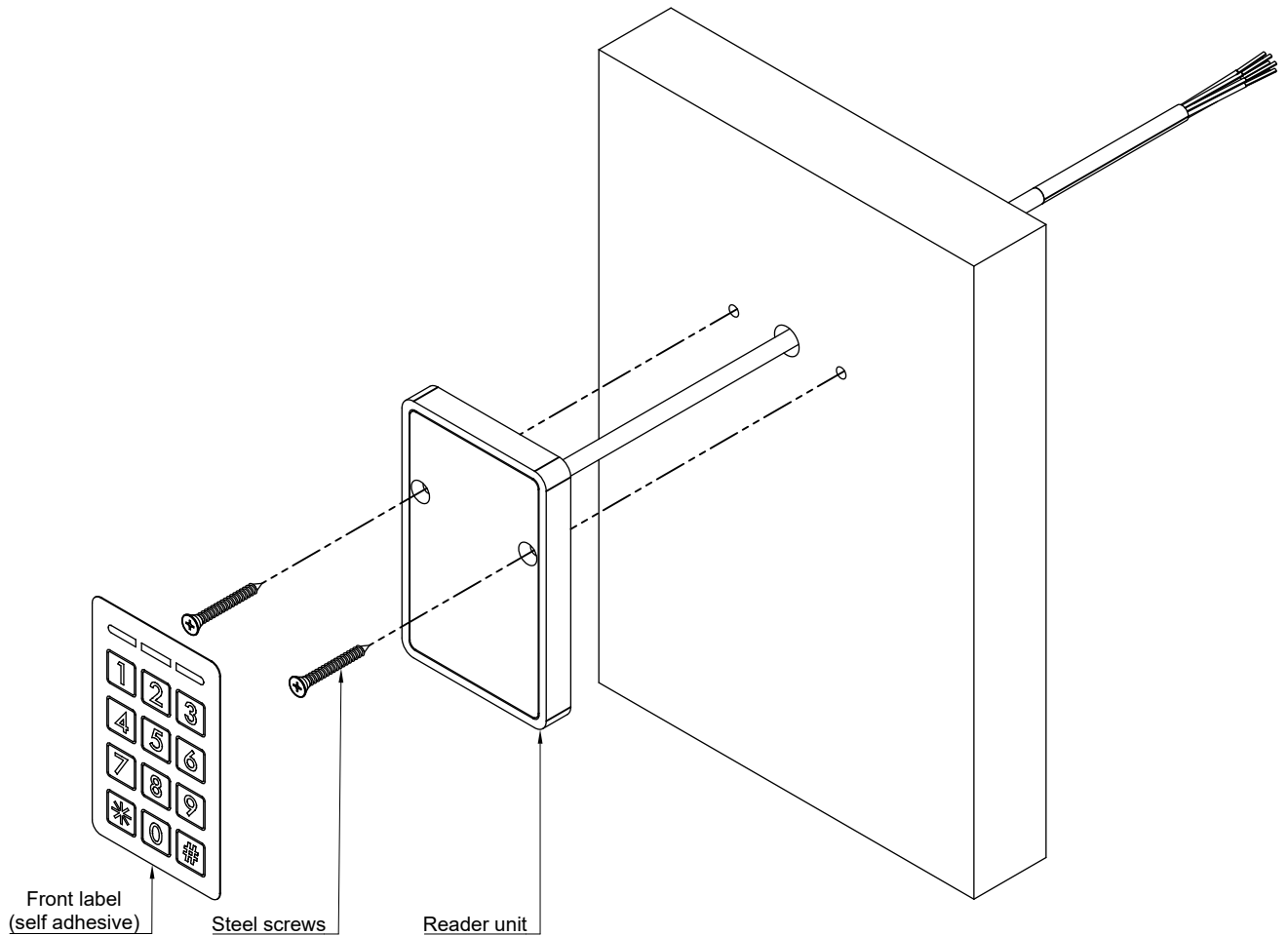
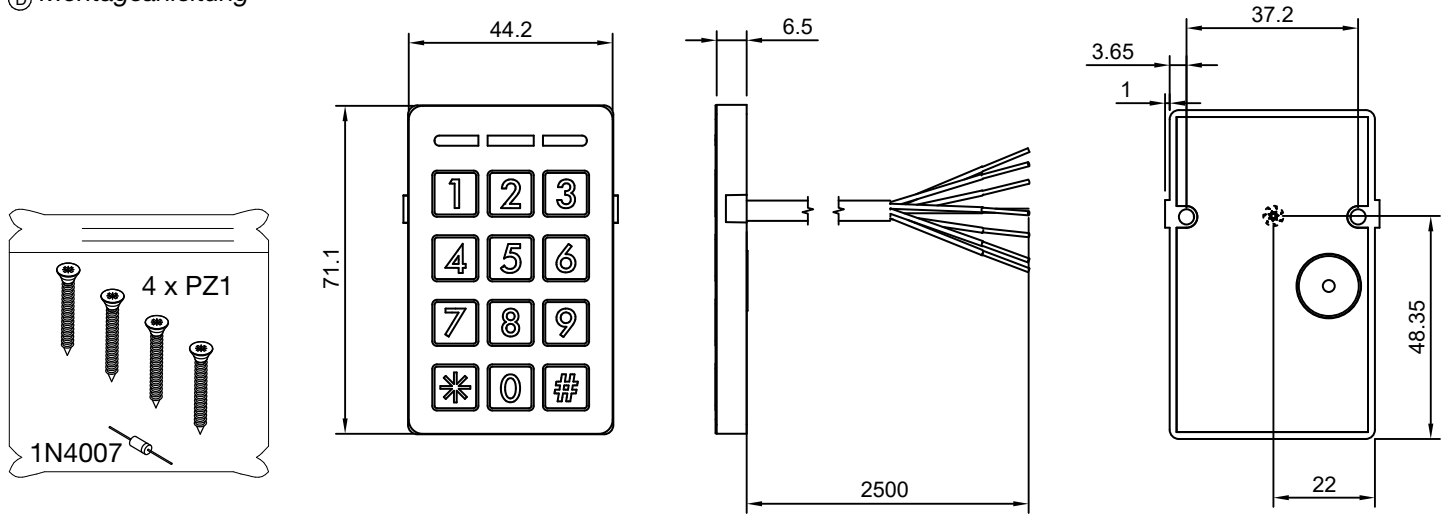
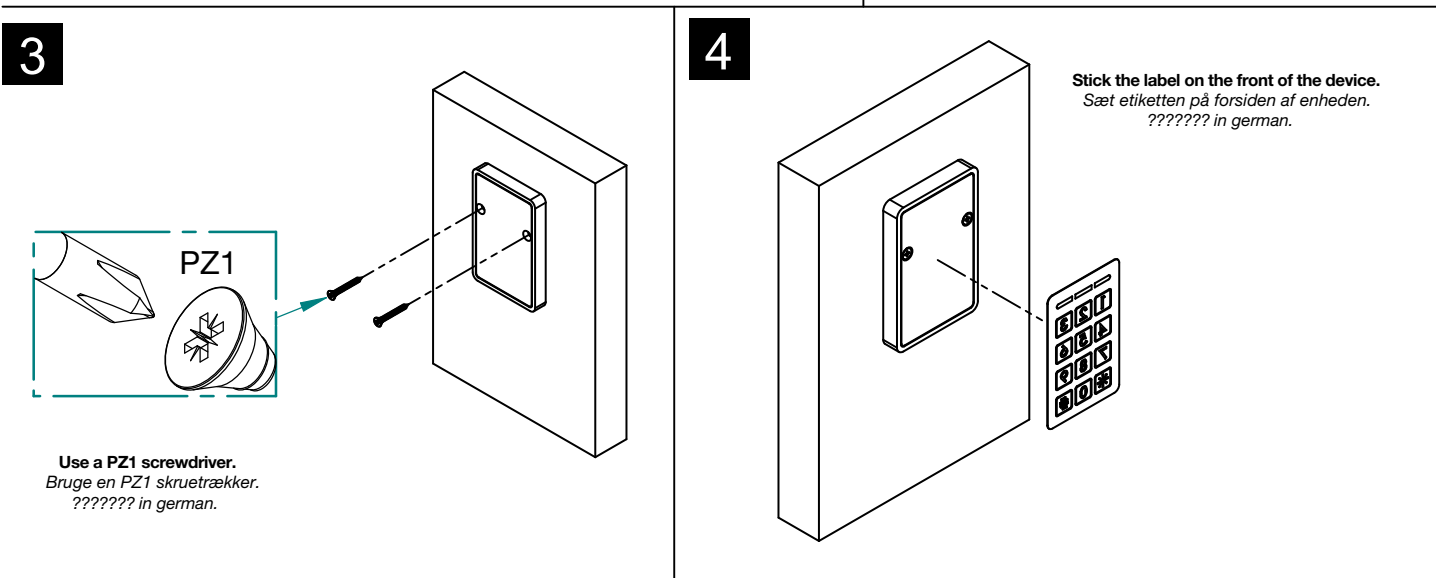
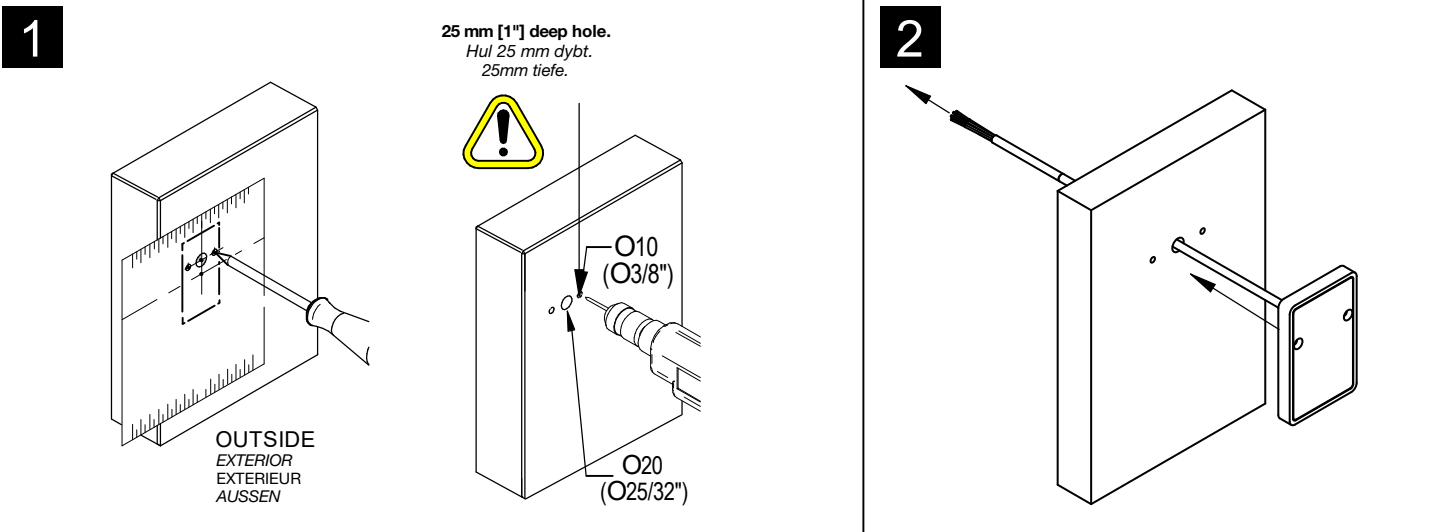


- 🇬🇧 **Installation guide**
- 🇩🇰 *Installationsvejledning*
- 🇩🇪 *Montageanleitung*

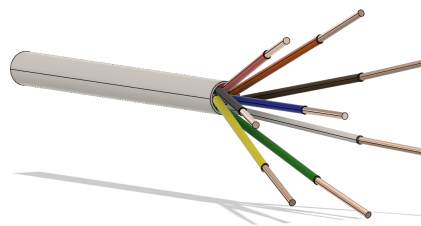


Eng Installation Dk Installation D Montageanleitung



Eng Wiring Dk Kabelforbindelser D Kabelverbindungen

Cable color	Function
●	Power +, 9 to 24 VDC, ~45mA
●	Power -, GND
○	Output 1, Open Collector, active LOW (GND)
●	Output 2, Open Collector, active LOW (GND)
●	Input, extGreen, activates/disactivates Green LED, active LOW (GND)
●	Input, extRed, activates/disactivates red LED, active LOW (GND)
●	Input, extBuzz activates/disactivates Buzzer, active LOW (GND)
●	Input, REX, Request of Exit, active LOW (GND)



Eng Electrical characteristics

Dk Elektriske detaljer

D Elektrische Eigenschaften

Eng

OPERATING CHARACTERISTICS			
	Min.	Max.	Unit
Temperature	-35	66	°C
Humidity	0	95	%

POWER SUPPLY	
9 to 24	VDC

E

MILJØBETINGELSER			
	Min.	Max.	Måleenhed
Temperatur	-35	66	°C
Fugtighed	0	95	%

STRØMFORSYNING	
9 to 24	VDC

D

OMGEVING			
	Min.	Max.	Einheit
Temperatur	-35	66	°C
Luftfeuchtigkeit	0	95	%

ENERGIEVERSORGUNG	
9 to 24	VDC

Eng Lock connection

Dk Låseforbindelse

D Verriegelungsverbindung

